

# STABIL M 90/45

176 x 90 x 45 cm

## CHARACTERISTICS



200 Kg of load per shelf uniformly distributed (UDL).



Estimated assembly time 15'.



Boltless assembly.  
Nylon mallet recommended.



Chipboard panels 5.



## COMPONENTS



- No. chipboard panels 5 pcs. 900 x 450 mm
- No. of beams: 10 pcs. of 900 mm
- No. of uprights: 8 pcs. of 880 mm
- No. of cross-beams: 10 pcs. of 450 mm
- Uprights connecting plates: 8 pcs.
- No. of plastic feet: 4 pcs.

## COLOUR



BLUE (RAL: 5010) AND  
ORANGE (RAL 2004)



EAN : 8586002703771  
AR : SAK1PP45180905200AN



## DIMENSIONS



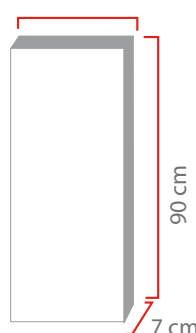
PRODUCT

90 cm

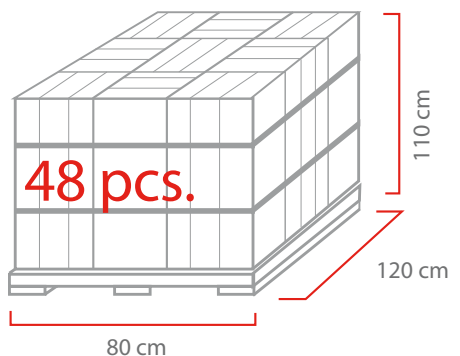


PACKAGING

46 cm



PALLETE  
(1,200 X 800)



USES

STORAGE ROOMS

INDUSTRIES